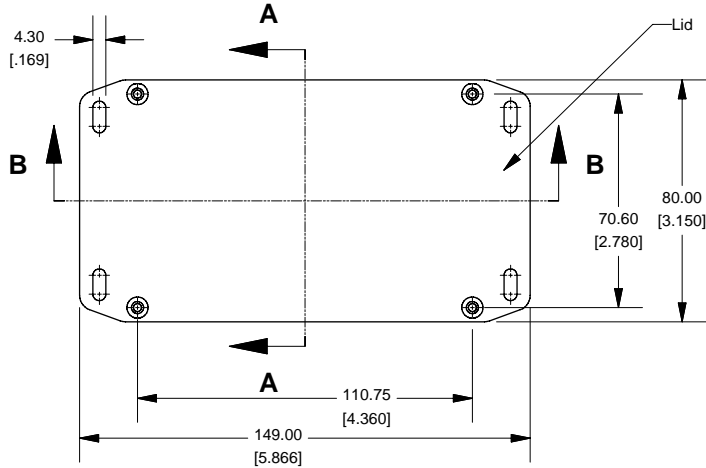
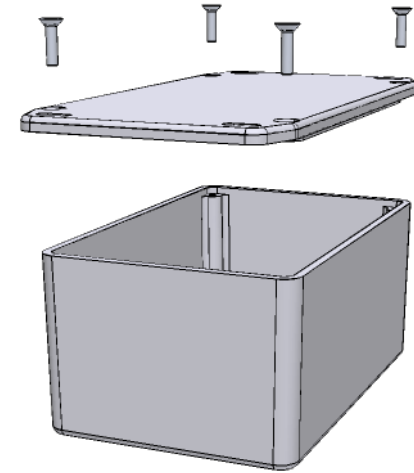
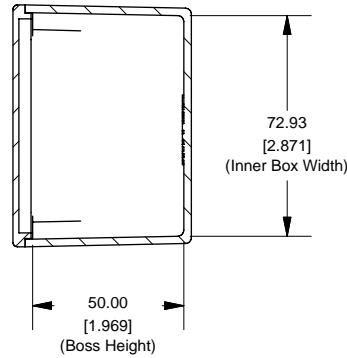


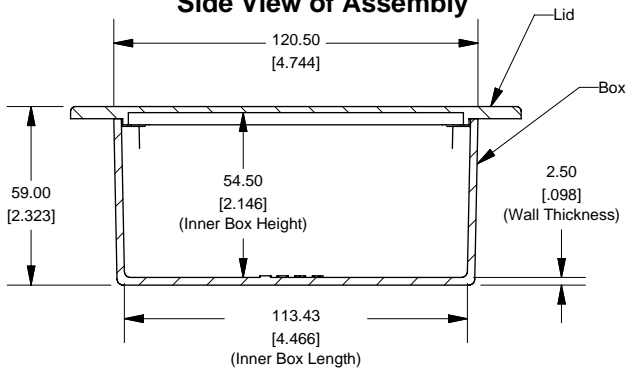
### Top View of Assembly



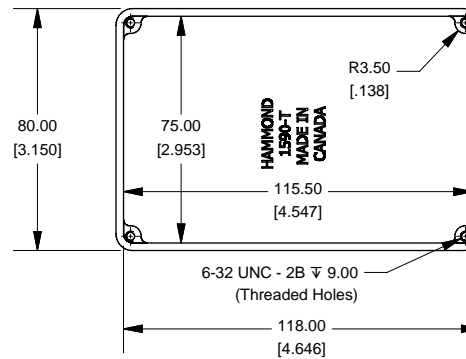
### SECTION A-A End View of Assembly



### SECTION B-B Side View of Assembly



### Top View Looking Inside Box

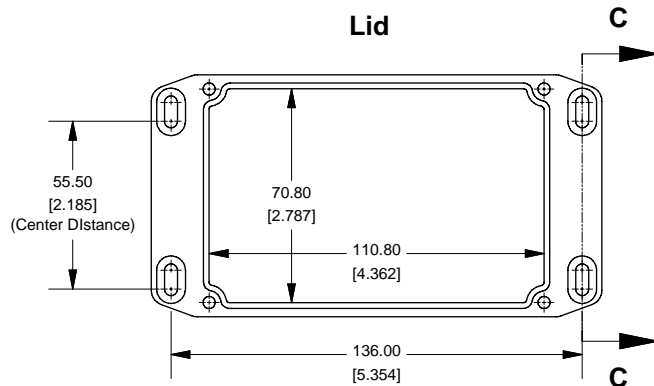


## 1590TFL (Flanged Lid)

Enclosures can be Factory Modified ( Milling, Drilling, Printing etc.)  
 Solid models of this enclosure available in STEP or IGES.  
 Contact Factory [mjm@hammondmfg.com](mailto:mjm@hammondmfg.com)

NOTE	
Purchased assembly includes box, lid and 4 cover screws. Box and lid are made from Diecast Aluminum Alloy (alloy type 380). Silicone Gasket Loctite #5950	
PART NUMBERS	
1590TFL Enclosure	
Unfinished	1590TFL
Grey Textured Polyester Powder Paint - RAL 7038	1590TFLGY
Black Textured Polyester Powder Paint - RAL 9011	1590TFLBK
1590TFL Liquid Resistant Enclosure (Silicon Factory Installed Gasket)	
Unfinished	1590WTFL
Black Textured Powder Paint	1590WTFLBK
ACCESSORIES	
Waterproof Cover Screws	
Black Textured Cover Screws (Pkg 50) [6-32 x 1/2" SS Type 304]	1590WMS100BK
Unfinished Cover Screws (Pkg 100) [6-32 x 1/2" Nickel Plated Screws]	1590WMS100
Standard Cover Screws	
Unfinished Cover Screws (Pkg 100) [6-32 x 1/2" Nickel Plated Screws]	1590MS100
Black Textured Cover Screws (Pkg 50) [6-32 x 1/2" SS Type 304]	1590MS100BK

### Lid



### SECTION C-C Side of Slot

